

## SJ-600 BALL VALVE

### MODEL SJ-600L BALL VALVE WITH LEVER HANDLE

The Model SJ-600L is a stainless steel, grooved-end, two-piece, full port ball valve designed and tested in conformance with MSS SP-110 and SP-72. The lever handle is equipped with tamper resistant locking holes. The SJ-600L is comprised of a stainless steel body and end cap, PTFE seats and stainless steel trim. The valve is supplied standard in CF8M (316).

For pressure rating, listing, and approval information, refer to data sheet or visit SHURJOINT website [www.shurjoint.com](http://www.shurjoint.com) for details or contact your SHURJOINT representatives.



#### material specification

- **Body and End Cap:**  
Type 316 Stainless steel.
- **Stem:**  
Type 316 Stainless steel.
- **Ball:**  
Type 316 Stainless steel.
- **Seats:**  
PTFE.
- **Seals:**  
R-PTFE.
- **Lever Handle:**  
Type 304 Stainless steel.
- **Bracket:**  
Ductile Iron to ASTM A536, Gr. 65-45-12, min. tensile strength 65,000 psi (448 MPa).
- **Extension Sleeve:**  
Ductile Iron to ASTM A536, Gr. 65-45-12, min. tensile strength 65,000 psi (448 MPa).

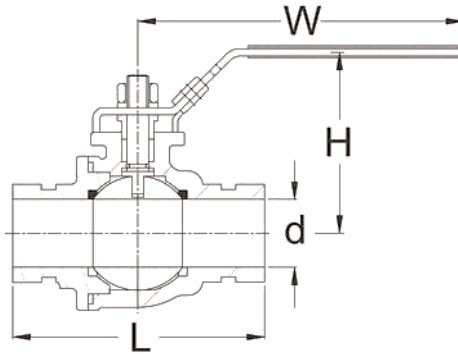
### MODEL SJ-600W BALL VALVE WITH GEAR OPERATOR

The Model SJ-600 can be also supplied with a worm gear operator.

The standard gear operator is supplied with a bracket and extension sleeve. The ISO 5211 mounting pad allows for mounting of other power actuators.



**MODEL SJ-600L BALL VALVE WITH LEVER HANDLE**



Model SJ-600L Stainless Steel Ball Valve

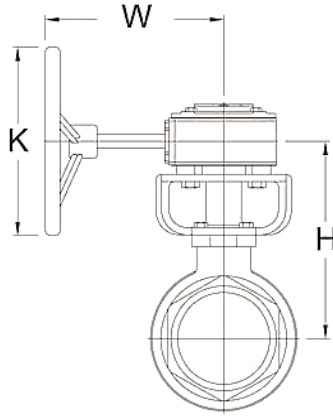
Nominal Size	Pipe O.D.	Max. Working Pressure (CWP)*	Operating Torque†	Dimensions				Weight^
				L	H	W	d	
in	in	PSI	lbs-in	in	in	in	in	lbs
mm	mm	Bar	Nm	mm	mm	mm	mm	kg
1½	1.900	600	265	5.50	3.70	7.60	1.50	6.6
40	48.3	42	30	140	94	193	38	3.0
2	2.375	600	354	6.15	4.13	7.60	1.97	8.8
50	60.3	42	40	156	105	193	50	4.0
2½	2.875	600	442	7.09	4.33	9.84	2.56	15.4
65	73.0	42	50	180	110	250	65	7.0
3	3.500	600	619	8.42	6.00	9.84	3.07	20.7
	80	88.9	42	70	214	152	250	78
4	4.500	600	973	9.45	6.57	11.42	3.94	55.0
100	114.3	42	110	240	167	290	100	25.0

\* Working pressure is for connection with cut- or roll-grooved schedule Sch. 40S pipe.

† For the first opening or closing of the valve when the valve is not continuously operated, an additional torque of 2.0 – 2.5 times the listed operating torque is normally required.

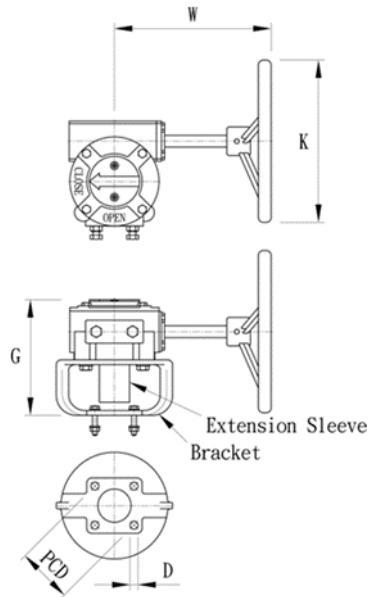
^ The weight includes the lever handle.

**MODEL SJ-600W BALL VALVE WITH GEAR OPERATOR**



Model SJ-600W Ball Valve with Gear Operator

Nominal Size	Pipe O.D.	K	H	W	Weight
in	in	in	in	in	lbs
mm	mm	mm	mm	mm	kg
2	2.375	5.98	5.38	8.00	17.82
50	60.3	152	137	203	8.10
2½	2.875	5.98	5.68	8.00	24.42
65	73	152	145	203	11.10
3	3.500	5.98	7.16	8.00	29.70
80	88.9	152	182	203	13.50
4	4.500	5.98	8.00	8.00	63.80
100	114.3	152	203	203	29.0



Model SJ-600W Gear Operator and Bracket

Nominal Size	W	K	G	PCD	D	Weight
in	in	in	in	in	in	lbs
mm	mm	mm	mm	mm	mm	kg
1½	8	5.98	5.35	1.64	0.31	11
40	203	152	136	42	8	5
2	8	5.98	5.35	1.97	0.31	11
50	203	152	136	50	8	5
2½	8	5.98	5.35	1.97	0.31	11
65	203	152	136	50	8	5
3	8	5.98	5.55	2.75	0.40	15
80	203	152	141	70	10	7
4	8	5.98	5.55	2.75	0.40	15
100	203	152	141	70	10	7

**Flow Data - Cv Values**

Values for flow of water at +60°F (+16°C).

$$Cv = \frac{Q}{\sqrt{\Delta P}}$$

Where: Cv = Flow coefficient  
 Q = Flow (GPM)  
 ΔP = Pressure drop (psi)

Model SJ-600 Ball Valve		
Valve Size	Actual O.D.	Cv Value
in	in	
mm	mm	
1½	1.900	270
40	48.3	
2	2.375	500
50	60.3	
2½	2.875	800
65	73.0	
3	3.500	1200
80	88.9	
4	4.500	2150
100	114.3	

General note

- Maximum Working Pressure (CWP) listed is the maximum cold water pressure for general piping services tested to ASTM F1476 and or AWWA C606 methods. Figures listed are based on roll- or cut-grooved standard wall carbon steel pipe. For other pipe schedules or pipe materials, contact Shurjoint for additional information.
- Field Joint Test: For one time only the system may be tested hydrostatically at 1½ times the maximum working pressure listed (AWWA C606 5.2.3).
- Warning: Piping systems must always be depressurized and drained before attempting disassembly and or removal of any components.
- The 10 Year Limited Warranty applies to manufacturing defects only and does not cover severe service/temperature applications or wear parts.
- Shurjoint reserves the right to change specifications, designs and or standard without notice and without incurring any obligations.